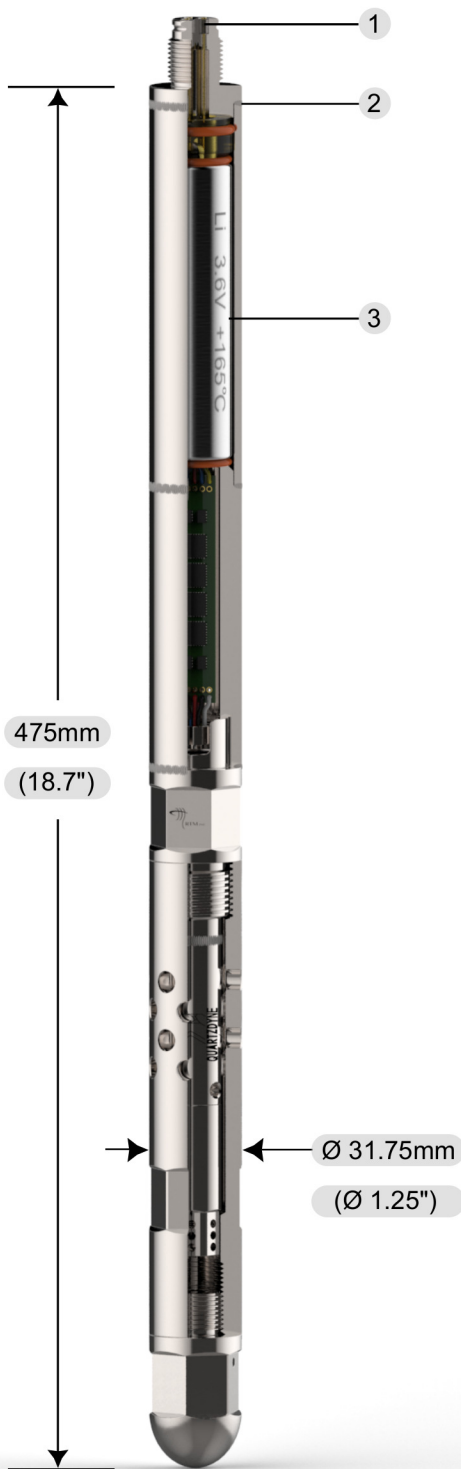




# KC3Q Quartz Memory Gauge

1.25" (31.05mm) Outer Diameter



### KC3 Features:

1. Hermetically sealed external USB connection,
2. Welded construction, no O-ring,
3. Embedded lithium battery pack,
4. Flashdrive style interface,
5. Embedded gauge configuration and data retrieval software.

### Specification

Transducer Type	Quartz
Battery Type	Lithium
Battery Capacity	13.0 A-h
Battery Voltage	3.67 V
Battery Life	4 years (Estimate based on average usage)
Memory Capacity	4 Million Samples
Sample Rate	1 Sample/Second to 1 Sample/Hour
Housing Material	17-4PH or 718 Inconel
Top Threaded	3/4 - 16 TPI (Amerada)

### Pressure kPa (psi)

Available Ratings	Accuracy	Resolution	Temperature °C (°F)	
			Standard	Extended
35,400 (5,000)	+/- 5.31, (0.75)	0.041, (0.006)	150, (302)	
68,500 (10,000)	+/- 10.28, (1.50)	0.041, (0.006)	150, (302)	177, (351)
103,400 (16,000)	+/- 16.54, (2.40)	0.055, (0.008)	165, (329)	177, (351)
137,000 (20,000)	+/- 20.55, (3.00)	0.055, (0.008)	165, (329)	177, (351)
Accuracy % F.S.	+/- 0.015 % F.S.		+/- 0.6 % F.S	
Resolution	< 0.00004 % F.S.		0.0001 % F.S	
Drift	< 0.02 % F.S. per year		< 0.09, (0.18) per year	

### Accessories

G-Con USB and Bluetooth Communication Controller
KC3Q Shipping Case Assembly
KC3 Bullet Nose
KC3Q Tandem Adaptor

Download Dashboard Professional at <http://www.rty.ca/software>

