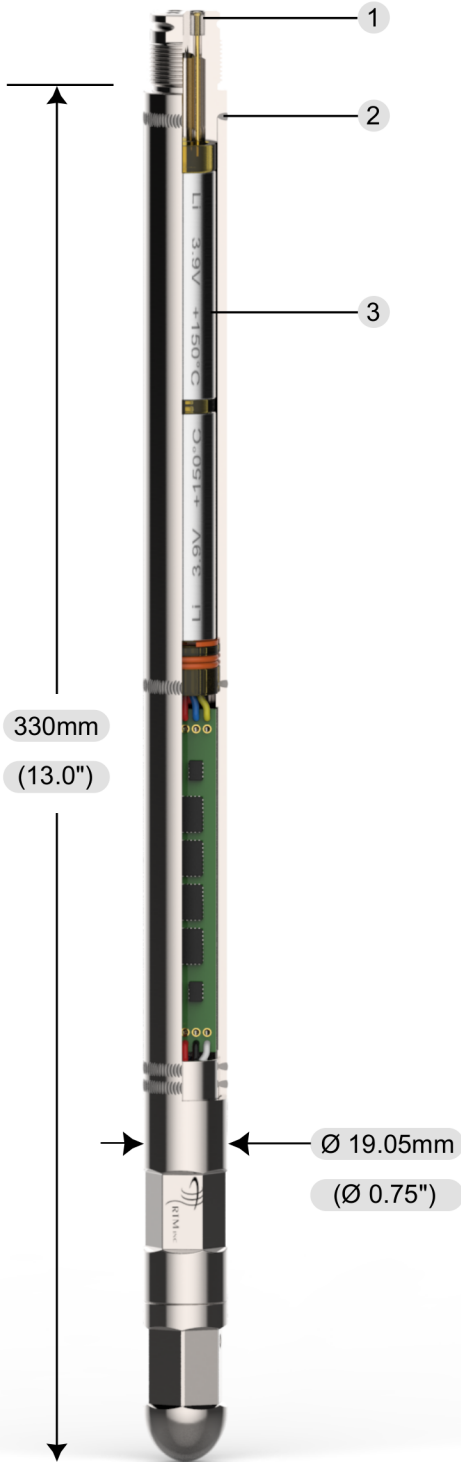


# KC375 Memory Gauge

0.75" (19.05mm) Outer Diameter



### KC375 Features:

1. Hermetically sealed external USB connection,
2. Welded construction, no O-ring,
3. Embedded lithium battery pack,
4. Flashdrive style interface,
5. Embedded gauge configuration and data retrieval software.

### Specification

Transducer Type	Piezo-resistive silicon
Battery Type	Lithium
Battery Capacity	3.2 A-h
Battery Voltage	3.9 V
Battery Life	1 Year (Estimate based on average usage)
Memory Capacity	16 Million Samples
Sample Rate	1 Sample/Second to 1 Sample/Hour
Housing Material	17-4PH H1150 or 718 Inconel
Top Threaded	1/2 - 13 TPI

### Pressure kPa (psi)

Available Ratings	Accuracy	Resolution	Standard	Extended
20700 (3000)	+/- 4.35, (0.63)	0.062, (0.009)	120, (248)	150, (302)
41400 (6000)	+/- 8.69, (1.26)	0.124, (0.018)	150, (302)	
68500 (10 000)	+/- 14.39, (2.10)	0.205, (0.030)	150, (302)	

### Temperature °C (°F)

Accuracy % F.S.	+/- 0.021 % F.S.	+/- 0.02 C
Resolution	0.0003 % F.S.	0.0001 C
Drift	< 20, (2.9) per year	<0.09 C/year

### Accessories

G-Con USB and Bluetooth Communication Controller
KC375 Shipping Case Assembly
KC375 Bullet Nose
KC375 Tandem Adaptor
KC375 1/2-13 TPI Male Adaptor
KC375 1/2-13 TPI Female Adaptor

Download Dashboard Professional at  
<http://www.rty.ca/software>

